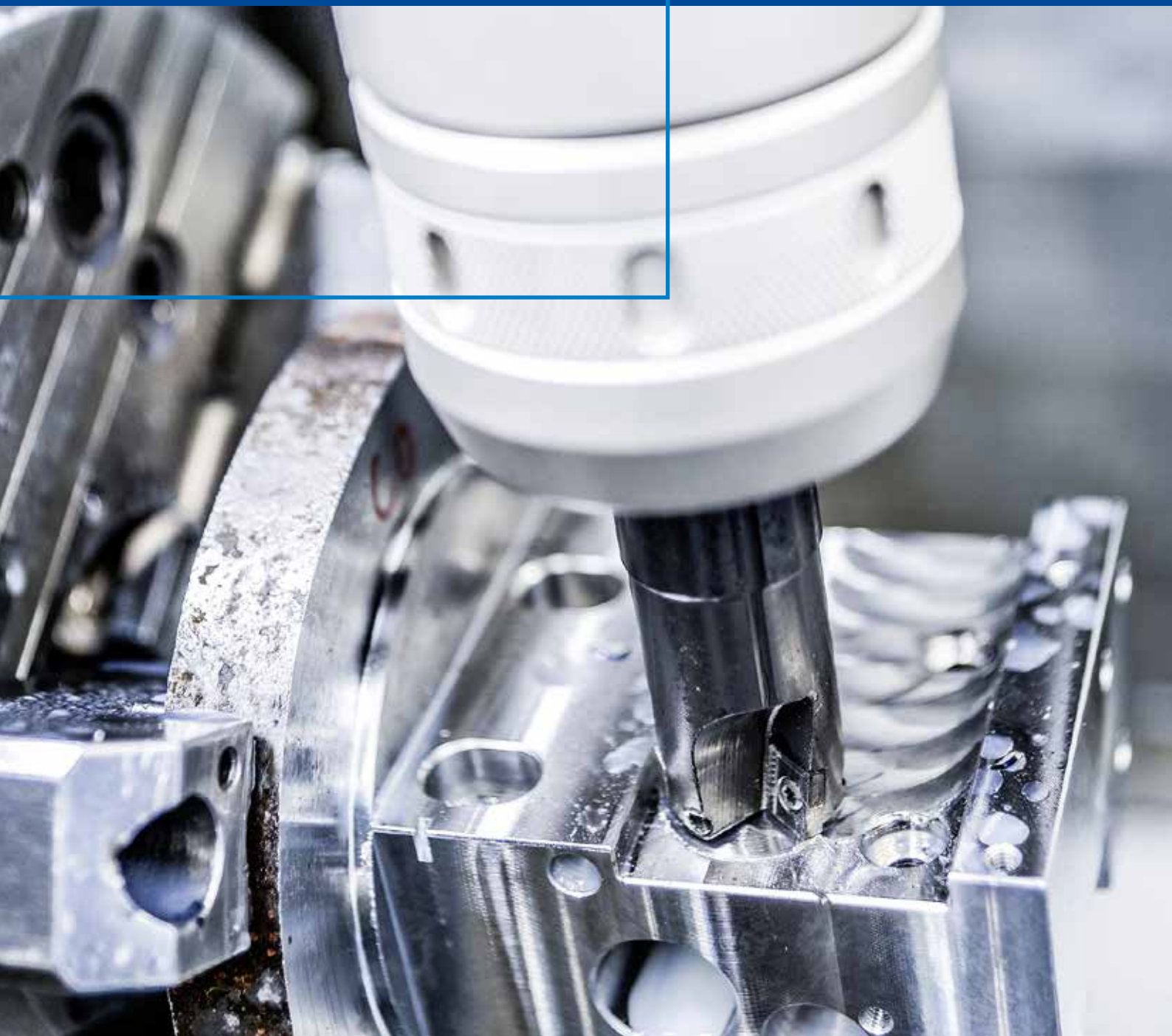


bilz

精密刀具夹持技术
Clamping technology
For precision tools



欢迎来到比尔兹 Welcome to Bilz.

今天，全世界有450名员工在开发和生产先进的高质量的刀具夹持方案
Today, around 450 employees worldwide develop and produce advanced high-quality solutions for tool clamping.

通过和蓝帜集团的姊妹公司合作，我们是稳定的所有权结构的一部分。在汽车、航空航天、通用金属加工和机械制造行业，我们独特的产品组合能提供标准应用方案和非标刀具，为客户解决具体的挑战。

In cooperation with our sister companies in the Leitz Group we are part of a stable ownership structure. Our unique product portfolio offers solutions for standard applications and special tools including the specific challenges of our customers in the automotive and aerospace industry, general metalworking and the machine building industry.

我们工作的核心价值观：产品质量，以客户为导向和寻找解决方案的才能。自1919年，这就是我们的原则，将来也会一直如此。

In the focus of our work stand our core values quality, customer orientation and solution finding competence. This has been our principle since 1919 and will continue to be so in the future.







坚持创新 A Firm Hold on Innovation.

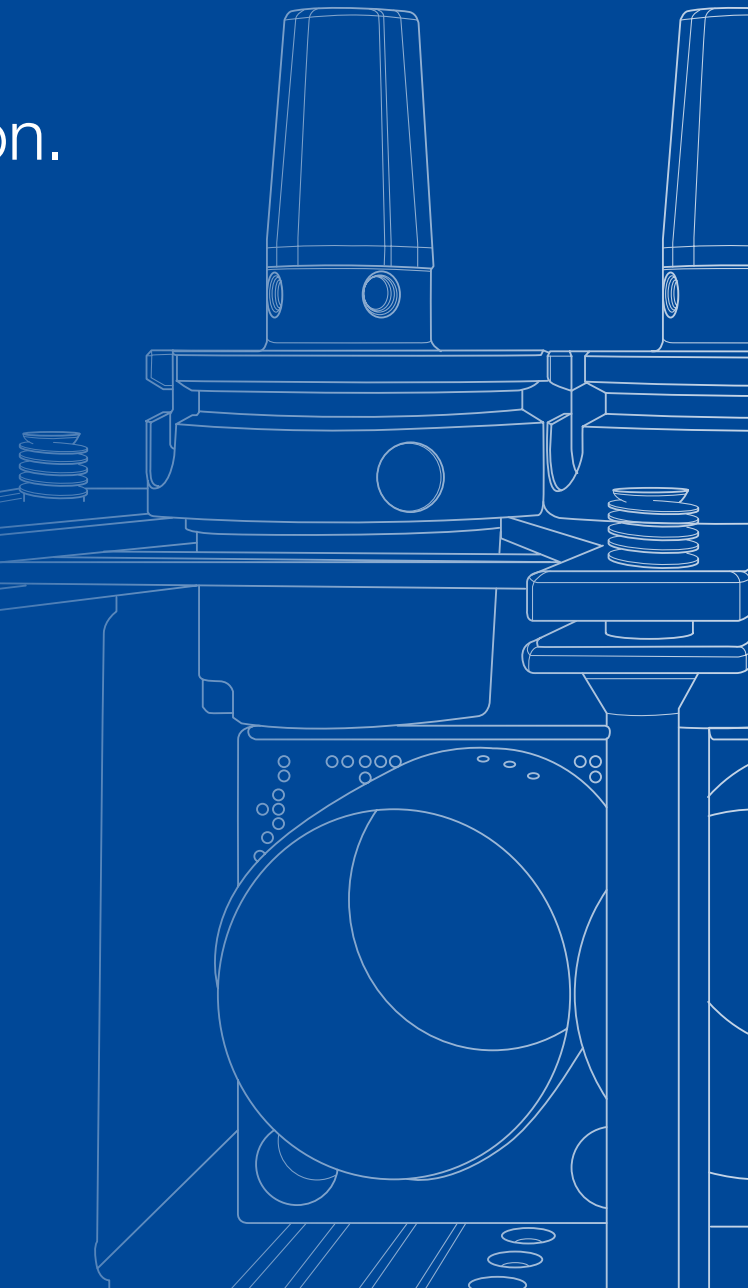
时刻关注市场：从初稿到最终运行的样品
整个完整的创新链都是由比尔兹执行。
With eyes and ears constantly on the
market: the complete innovation chain from
the initial draft right through to the final
operational prototype is carried out by Bilz.

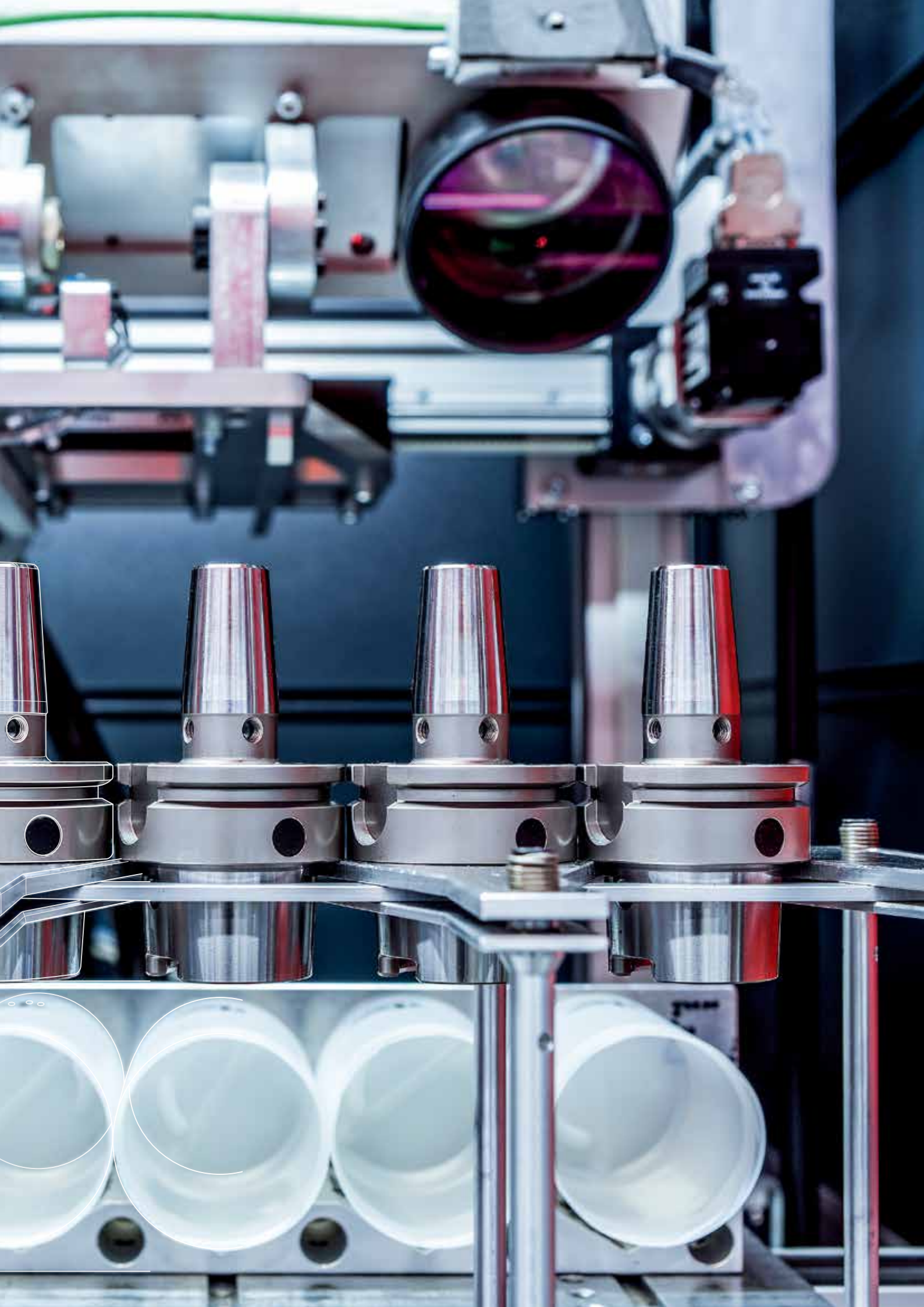
通过和科研的紧密合作，我们能找到并提供合适的解决方案来满足的客户极端要求。我们技术创新的基础来自于古典工程学的经验和创新合作伙伴提供的电子产品。

Close cooperation with research and science makes it possible for us to find and apply suitable solutions for what seem to be the most extreme demands of our customers. The combination of our experience in classical engineering and electronics coupled with a network of creative partners gives us a wide basis for technical innovation.

通过与客户合作，比尔兹积极推广机电一体化。比尔兹是各种刀具夹持的创新合作伙伴。

In cooperation with our customers, mechatronics is actively promoted at Bilz. Bilz is an innovative partner for all kinds of tool clamping.







最高水平的制造质量 Manufacturing quality at the highest level.



为了掌握复杂事物和满足客户利益的最高要求，我们通过专业知识和特长对工艺进行改进和简化。高自动化的生产机器和专家的手工技能结合，我们是独一无二的。In order to master complexity and top-level requirements for our customers advantage, processes have been improved and simplified through knowledge and expertise. Our combination of highly automated production machines and the manual skill of our specialists is unique.

员工多年积累的知识、合适的制造设备以及向新方向发展的意愿确保比尔兹每天都能达到最高水平的制造质量。Knowledge gained by our employees over many years together with the right manufacturing facilities and the will to move in new directions mean that every day, Bilz is able to attain manufacturing quality on the highest level.



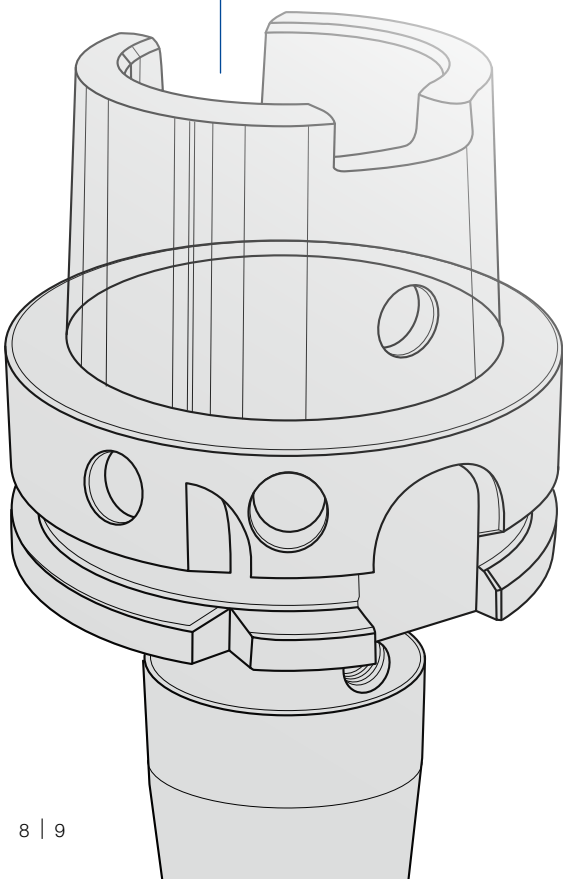


荣获2018最佳创新奖

AWARDED WITH THE PRIZE TOP-INNOVATOR 2018

精密刀具夹持技术 Clamping technology for precision tools

高精度
HIGH-TECHNOLOGY



“比尔兹工具厂有限公司的专家们确保全球34个国家和地区的客户机器不会停滞不前。作为丝锥和高性能刀具的夹紧工具的全球领先制造商，有150名员工为汽车、机床行业，航空航天、以及医疗工程客户服务，并三次荣获最佳创新奖。”

来源：Top 100

“The specialists at Bilz Werkzeugfabrik GmbH & Co. KG make sure that their customers' machines in 34 countries around the world do not stand still. As the world-wide leading manufacturer of clamping tools for tapping and high performance tools, the triple Top-Innovator with its 150 employees supplies to the automotive and tool machine industry, the aerospace industry and to customers in medical engineering.”

Source: Top 100

快换系统-AOCS QUICK CHANGE SYSTEM - AOCS



无论主轴的旋转位置如何，快换系统都可以接合和分离。到达刀库后，仅需要在快换刀柄的方向上进行轴向移动。沿反方向的轴向移动使快换刀柄脱离。

应用：

- 自动定向夹紧系统“AOCS”能使工业机器人在加工过程中实现全自动换刀。

The quick change system can be engaged and disengaged whatever the rotational position of the spindle. After arriving at the magazine an axial movement in the direction of the quick change adaptor is all that is required. An axial movement in the opposite direction disengages the quick change adaptor.

APPLICATION

- The Automatic Orientating Clamping System „AOCS“ makes the fully automatic change of tools during machining with industrial robots possible.



优点：

- 减少换刀时间，提高生产效率
- 一个刀柄可以对应多个不同的快换夹头，特定于应用。
- 可与不太复杂的主轴结合使用

BENEFITS

- Increased productivity due to reduced tool change times
- One clamping chuck for different quick change adaptors, specific to the application
- Can be used in combination with less complex spindles

同步应用-STA SYNCHRO APPLICATION STA



新型STA – 同步攻丝筒夹专为筒夹刀柄而开发，可在带有同步功能的主轴上攻丝。

应用：

- 同步攻丝
- 适用多主轴镗头
- 用于动力头

The new STA – Synchronised Tapping Adaptor was especially developed for collet holders and makes tapping and threading on machines with synchronised spindles possible.

APPLICATION:

- Synchronised tapping and threading
- Suitable for use on multi-spindle boring heads
- For driven tools



优点：

- 补偿同步错误
- 避免大轴向力
- 更好的螺纹质量
- 也适用于主轴空间狭窄的应用
- 维修少

BENEFITS

- Compensation of synchronisation errors
- Avoids high axial forces
- Minimum strain of the thread flanks
- Better thread quality
- Also suitable for applications with narrow spindle space
- Low maintenance

更新-VIDIT RENEWAL VIDAT



VIDAT代表Bilz的振动阻尼技术。通常在针对特定应用进行切削优化的过程中会产生振动。在这种情况下对于不希望的振动，VIDAT提供了一种理想的解决方案，可将加工范围移动到另一个尺寸，从而消除了产生的振动。长悬升的应用可能会在最不可接受的位置产生振动，例如精加工。在这种情况下，VIDAT热缩延长杆可以抑制工艺过程。从技术上讲，这意味着达到4 dB的衰减效果。

VIDAT stands for Vibrations Damping Technology by Bilz. Often in the process of cutting optimisation for your specific applications, vibration can develop. In this case and for unwanted vibrations, VIDAT offers the ideal solution to move the machining envelope to another dimension, thus eliminating the incurred vibration. Applications with long reach extensions can produce vibrations at the point they are least acceptable, finishing for example. In this case the VIDAT shrink extension offers the ability to dampen the process. Technically speaking this means the achievement of a dampening effect of 4 dB.



优点：

- 减少特定应用时的振动
- 改善工件表面光洁度
- 维持所需的公差更长
- 延长刀具寿命

BENEFITS

- Reduction of vibration on your specific application
- Improvement of the surface finish quality of the work piece
- Maintenance of required tolerances for longer
- Extended tool life



攻丝产品 TAPGRIP

夹持技术的领导者 LEADER IN CLAMPING TECHNOLOGY.

从世界上第一个快换攻丝刀柄的发明开始，Bilz仍为今天的攻丝系统树立标杆。

From the invention of the world's first quick-change chuck onwards, Bilz is still setting the benchmark for tapping today.

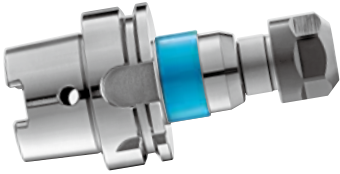
产品范围涵盖了独有的攻丝夹头和刀柄，适用于所有应用、不同机床类型、不同刀柄和各种尺寸。当然，还包含项目最新研发的同步攻丝或最小微量润滑。

The product range covers a unique range of tapping chucks and adaptors for all applications, machine types, shanks and sizes and of course the newest developments for synchronized tapping or minimum quantity lubrication are in our program.

Bilz产品一直是攻丝产品的全球标准。

Bilz products have always been the worldwide standard for threading products.

同步攻丝刀柄 SCK SYNCHRO CHUCK SCK



最新一代SCK同步攻丝刀柄已经过优化，可以适应当前的市场需求。攻丝预置可以从机床或同步攻丝刀柄的丝锥一侧实现。由于优化了润滑剂的供给，可以确保不会泄漏而喷到丝锥上。

应用：

- 在主轴上以同步进给速度攻丝（切削和挤压攻丝）。俗称刚性攻丝。

The latest generation SCK-Synchro Chucks has been optimised and adapted to the current market requirements. Tap presetting can be achieved from the machine side or the tap side of the synchro chuck. Due to the optimisation of the lubricant feed, a free from leakage transfer to the tap can be guaranteed.

APPLICATION

- Tapping (both cutting and form threading) on spindles with synchronised feed rates. This is also known in industry as rigid tapping.



优点

- 攻入尤其是攻出时，降低丝锥螺纹牙侧的压力
- 提高丝锥寿命
- 螺纹更坚固，表面光洁度更高，使用寿命更长
- 补偿同步错误 - 降低损坏风险

BENEFITS

- Reduction of the pressure on the thread flanks when tapping in and especially tapping out
- Increased tap life
- Stronger threads with improved surface finish for longer as a result
- Compensation of synchronisation errors – reduced risk of breakage

自反转攻丝刀柄 GNCK TAPPING ATTACHMENT GNCK



高性能攻丝刀柄带完整的反转齿轮。Bilz攻丝刀柄采用模块化设计，可适配各种机床。它们可用于具有自动换刀功能的加工中心以及专用机床上。

应用：

- 切削、挤压螺纹，无需反转主轴来退出丝锥。

High performance tapping attachment with integrated reverse gear. Bilz tapping attachments are of a modular design and can therefore be adapted to the machine. They can be used on machining centres with automatic tool change as well as special purpose machines.

APPLICATION

- Tapping, threading without the need to reverse the spindle to exit the tap.



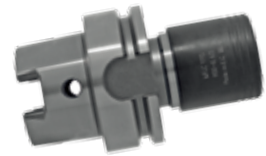
优点

- 机床主轴无需反转，循环时间至少缩短25%
- 高同心度
- 减少主轴早期磨损 - 减少维护
- 确切的分离位置 - 准确的螺纹深度，重复精度高

BENEFITS

- No reversing of the machine spindle necessary reducing cycle times by a minimum of 25%
- High concentricity
- Reduces early spindle wear – less maintenance
- Exact disengaging position – exact thread depths, high repeat accuracy

快换攻丝刀柄 WFLC QUICK-CHANGE CHUCK – WFLC



数十年来，Bilz的攻丝夹头、刀柄具有完美的设计，在全球运营中进行了试验和测试，被认为是全球标准。特殊的功能，例如拉伸和压缩长度补偿，快换，径向浮动，常与刀柄轴向补偿结合使用，内部或外部冷却液供给，这些都可以在各种攻丝刀柄组合中实现。

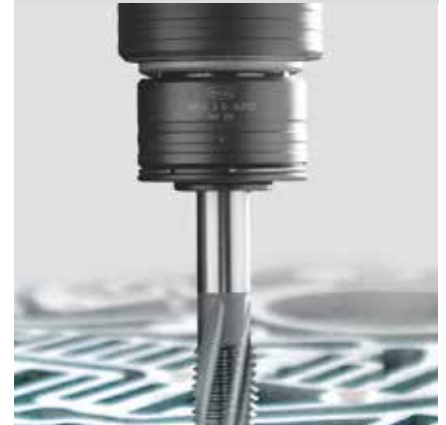
应用：

- 用于带通用接口的所有类型机床的攻丝。

For decades chucks/adaptors from Bilz with a perfected design are tried and tested in global operations and are considered as a worldwide standard. Special features such as length adjustment on tension/compression, quick change, radial floating qualities which function in combination with the chuck's axial movement, internal or external coolant feed can be realised in various chuck combinations.

APPLICATION

- Tapping, threading for all types of machines with all common interfaces on the machine side.

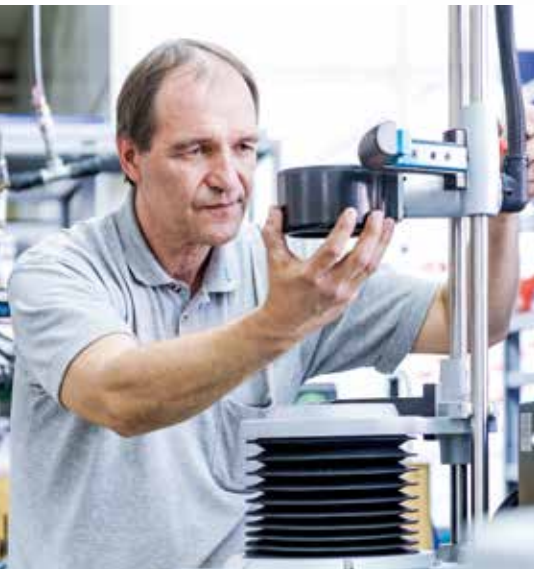


优点

- 拉伸/压缩长度补偿
- 安全过载保护
- 减小切削力
- 快换系统

BENEFITS

- Tension/compression compensation
- Safety clutches
- Initial cut pressure intensifier
- Quick change system



我们的热胀产品 ISG热胀仪 Our Thermogrip® ISG Shrink Units



热胀仪 SHRINK UNITS

完美的刀具夹持 Tool Clamping in perfection.

Bilz热胀设备技术，有获得专利的铁素体盘片系统以及独特的高效“下沉式冷却”技术。

Bilz machine technology with patented ferrite disc system and the unique, highly efficient “Cool Down” technique.

热胀仪ISG3400系列产品设计获得“2012年红点奖”。高级评审团的专家特别赞扬了模块化概念和经济技术对客户个性化需求的关注。这一久负盛名的奖项再次证明我们的模块化和现代化单元概念可满足大多数客户的需求，因为Bilz最成功的解决方案始终是通过与客户的紧密合作来实现的。

The shrink unit series ISG3400 was awarded with the “Red Dot Award 2012” for product design. Experts in a high ranking jury particularly praised the focus on individual customer requirements shown by the modular concept and the economic technology. This prestigious award proves once again that our modular and modern unit concepts meet most individual customer requirements, because the most successful solutions at Bilz are always achieved through close cooperation with our customers.



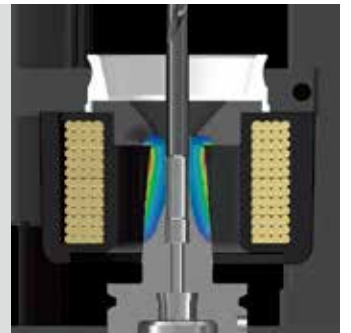
**1、下沉式冷却系统
1 - COOL DOWN COOLING SYSTEM**

Thermogrip® 系列的效率比接触式冷却系统高十倍。可供全能式或专业版。
The Thermogrip® series is ten times more effective than contact cooling systems, available as Allrounder or Professional versions.



**2、独具优势的加热感应技术
2 - ADVANTAGE INDUCTION TECHNOLOGY**

模块化加热系统是刀柄和热胀仪的完美配合。
Modular shrink system with perfect combination between holder and shrink unit.



**3、更安全
3 - MORE SAFETY**

加热和冷却均在同一位置，无需移动高温刀柄。
Heating and cooling in one position, therefore no moving of hot shrink holders necessary.



**4、独立的操作语言
4 - OPERATION IS LANGUAGE INDEPENDENT**

可确保安全准确的操作，即使带安全手套。
This guarantees a safe and accurate operation, also when using protective gloves.





热胀夹持技术 SHRINK CLAMPING TECHNOLOGY

为刀具量身定制 Tailored suit for the tool.

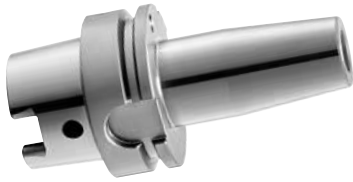
选择合适的夹紧装置可为生产提供巨大的节省潜力，以满足客户和市场对质量的要求不断提高，以及生产成本不断增加。
Choosing the right clamping device offers enormous savings potential for the production, in order to meet the constantly rising quality requirements of the customer and the market and as well as the increasing production costs.

就生产率、节省时间和废品率而言，效率是最佳的，并在尽可能最短的时间内摊销较低的初始投资。主要原因之一：获得专利的沉孔设计。它是所有ThermoGrip® 热胀刀柄的专有商标，可用于刀具的自带居中。此外，得益于获得专利的沉孔，ThermoGrip® 热胀刀柄在加热时可减少15-20%的热量。不仅节能，还可以保护材料。

The efficiency in terms of productivity, time savings and reject rate is optimal and amortizes the low initial investment in the shortest possible time. One of the main reasons: the patented cylindrical counterbore. It is the exclusive trademark of all ThermoGrip® shrink chucks and serves for the automatic centering of the tool. In addition, thanks to the patented counterbore, the ThermoGrip® shrink chuck uses around 15-20% less energy when heating the chucks. This is not only energy-efficient, it also protects the material.

操作安全
OPERATIONAL SECURITY

热胀刀柄 SHRINK CHUCKS



ThermoGrip® 热胀系统通过热胀仪和刀柄之间的完美协作，换刀过程安全。由于μ级的高同心度，高刚度和极高的夹持力，能提供最佳的表面质量，较长的刀具寿命，更高的转速和进给。

应用：

- 满足所有工业应用。

Our ThermoGrip® shrink system stands for process secure tool change by perfect synergy between shrink unit and holder. It offers best surface quality, long tool life, higher feed rate and rotational speed – due to μ-precise concentricity, high rigidity and extremely high retention forces.

APPLICATION

- All industrial applications catered for.



优点

- 最高的操作安全性
- 将刀具插入冷却的刀柄，实现热胀时无手工操作
- 完整的沉孔用于刀具居中
- 所有外形设计均可提供
- 工业标准设计

BENEFITS

- Highest process security
- Cutter insertion into the cold chuck thus offering a hands free shrink process
- Integrated counterbore for centring the tools
- All geometric designs available
- Industrial standard design

端面冷却热胀刀柄 CORONA JET



ThermoGrip® CoronaJet 具有理想的冷却液供应功能，带来最佳的排屑，适用于所有切削应用。与传统的冷却液供应系统相比，允许优化的切削液喷到切削刃，切削刃和刀刃之前无偏离。

应用：

- 一般应用于高科技航空航天和模具，尤其适合于深腔加工。

ThermoGrip® CoronaJet is an ideal coolant supply feature bringing best swarf evacuation to all cutting applications. Allows optimised cooling control to the cutting edge with minimum centrifugal coolant displacement away from the cutting edge compared to conventional coolant supply systems.

APPLICATION

- General engineering application to high-tech aerospace and mold and die, especially suited to deep cavities.



优点

- 有针对性和稳定的冷却液供应
- 由于恒定的切削温度，刀具寿命更长
- 更好的产品质量

BENEFITS

- Targeted and consistent coolant supply
- Longer tool life due to the constant cutting temperatures
- Better product quality

热胀筒夹TER SHRINK ADAPTOR TER



与传统的ER筒夹相比，TER几乎消除了刀具不平衡而产生的力。刀具精确地夹持在夹持孔的中心，因此运行平稳，热装时刀具和TER筒夹一起组成紧凑而稳定的单元。

应用：

- 标准的ER筒夹刀柄
- 动力刀座

With the TER, the forces exerted due to an unbalance of the tool are nearly eliminated when compared to conventional ER collets. The tool is precisely clamped in the centre of the clamping bore and therefore runs smoothly and builds a compact and stable unit with the TER collet when shrunk in.

APPLICATION

- Standard ER Collet chucks
- Driven tool holders



优点

- 极高的扭矩值，最佳同心度和最高稳定性
- 提高表面质量和出色的精度
- 最大的夹持力和刚性
- 整体质量好，磨损少

BENEFITS

- Very high transmittable torque values, best concentricity and highest stability
- Improved surface quality and excellent precision
- Maximum retention forces and rigidity
- Low-wear monoblock qualities



刀柄 TOOLHOLDERS

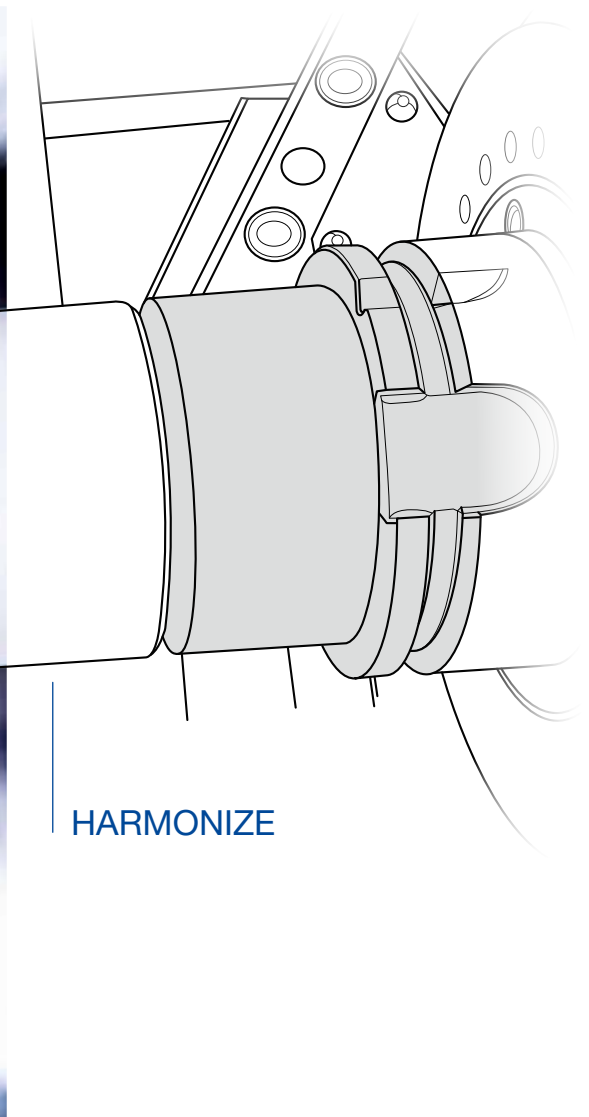
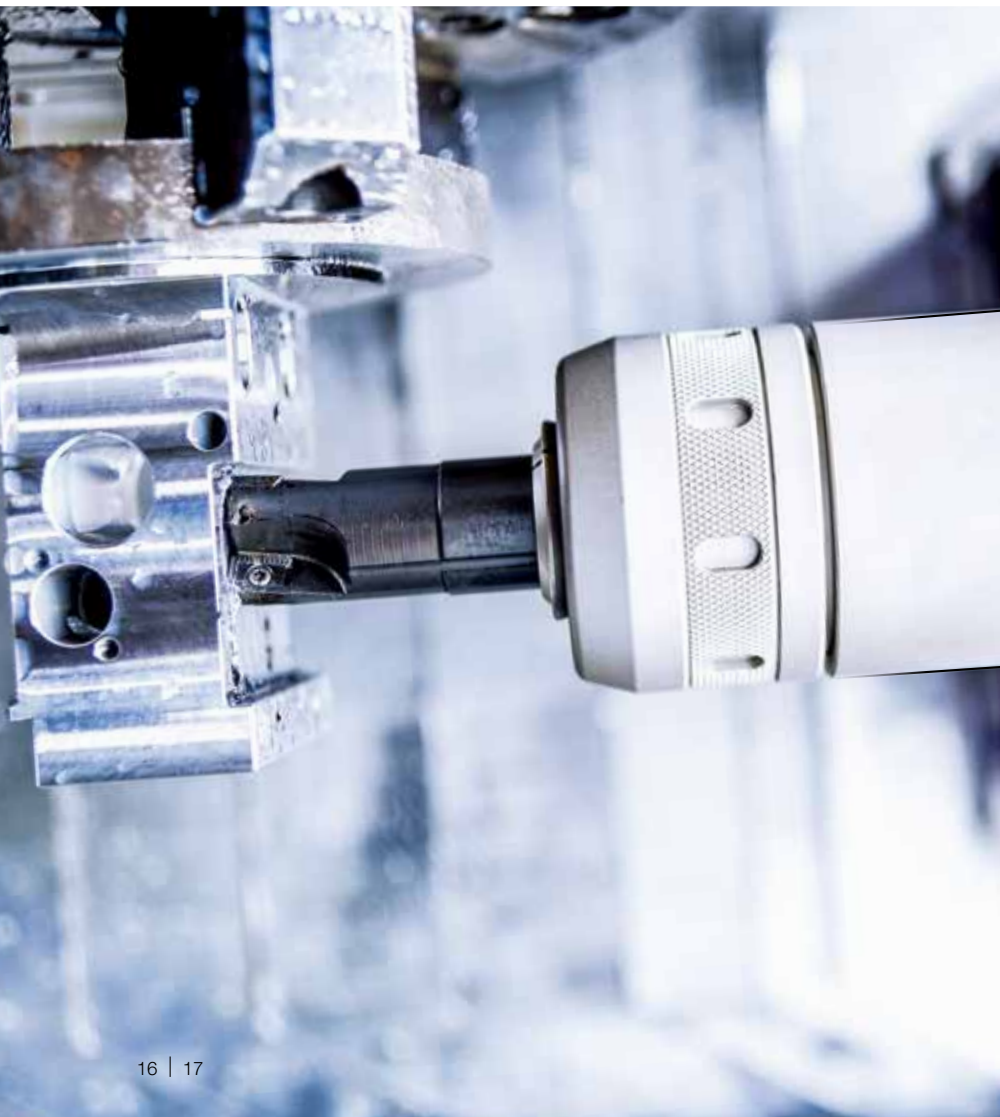
完美连接 For perfect connections

在机械加工领域，一个公认的说法是“钱是通过切削刃赚来的”。但是，尽管刀具的生产率会影响加工过程的总成本，但它仅占这些成本的4%~6%。

A commonly acknowledged statement in the machining branch is that “the money is earned at the cutting edge”. However, while the productivity of the cutter considerably influences the total costs of the machining process, it makes up only about 4–6 % of these costs.

Bilz刀柄是影响刀具使用性能、优化刀具寿命的关键因素。多年的经验帮助我们开发了您可以信赖的产品。

Bilz tool holders are the key factor in utilizing the performance capability of the cutters, optimizing their tool life. Our years of experience help us to develop products which you can trust.



HARMONIZE

普通刀柄 CNC



回顾多年市场成功的普通刀柄产品系列，比尔兹有侧固刀柄，强力铣刀柄，立铣刀刀柄，哨型凹槽侧固刀柄，端铣刀刀柄，高精度筒夹刀柄，液压刀柄或者镗刀毛坯刀柄。

应用：

- 适用于每个降低成本的工艺

With our wide product range of CNC holders, we are looking back on many years of successful market presence. Whether Weldon, High-Power milling chucks, end mill holder, Whistle-Notch, shell mill holder, Super collet chucks, hydraulic chucks or boring bar blanks, we have them all / Bilz has them all.

APPLICATION

- For every processing when it comes to cost reduction.



优点

- 高库存
- 产品范围广
- 有竞争力的价格
- 高标准率

BENEFITS

- High stock availability
- Wide product range
- Competitive pricing
- High standard percentage

强力铣刀柄 HIGH POWER MILLING CHUCK



- 双重夹紧，夹持范围广
- 含滚珠轴承，减少摩擦
- 跳动精度高，3倍径跳动5 μ
- 防腐蚀涂层
- 特殊结构可防止碎屑和冷却液污染

应用：

- 钻孔和铣削

- Double clamping with a wide clamping range
- Reduced friction due to construction with roller bearing
- High runout accuracy, 5 at 3D
- Protected with an anti-corrosion coating
- Special mechanism to prevent contamination through fine chips and cooling liquid

APPLICATION

- Drilling and milling



优点

- 减少振动，表面质量极高
- 夹紧力高，提高生产效率，延长刀具寿命

BENEFITS

- Excellent surface quality due to reduced vibrations
- Increased productivity and longer tool life because of a very high clamping force

精密筒夹刀柄 SUPER COLLET CLAMPING CHUCK



BILZ新型精密筒夹刀柄非常适合高速加工和铣削。由于优化了筒夹的几何形状，我们能够设计出非常纤细，夹持力更高的筒夹刀柄。

应用：

- 高速主轴和常规铣削工艺

Our new Super-collet chucks are perfect for high speed machining and for milling. Because of the optimized collet geometry we are able to design our collet chucks very slim and with a higher retention force.

APPLICATION

- For high speed spindles and for general milling processes.



优点

- 出色的跳动精度，4倍径时跳动5 μ
- 夹持力是ER筒夹的两倍
- 设计紧凑
- 动平衡G2.5 @ 25,000 U / min

BENEFITS

- Excellent runout accuracy, up to 5μ at 4D
- Clamping force is twice as high as ER collet chucks
- Compact design
- Dynamically balanced G2.5 @25 000 U/min



特殊方案 SPECIAL SOLUTIONS

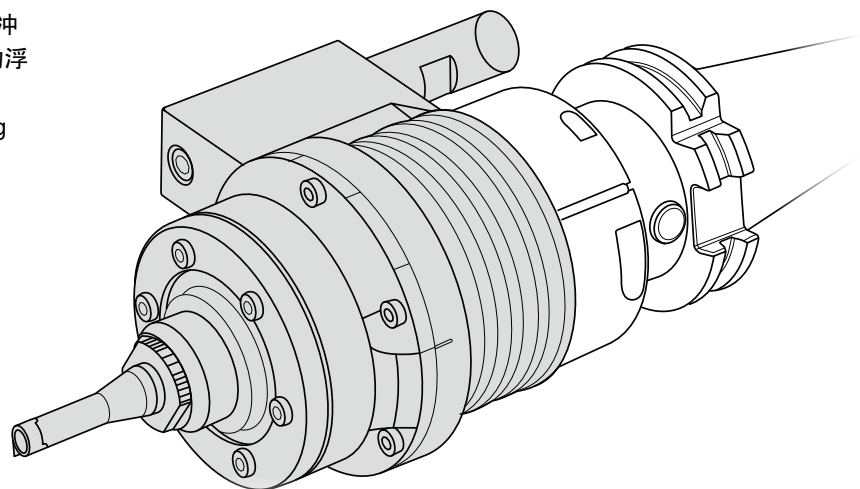
应对各种挑战 Able to meet every challenge.

Bilz为几乎所有挑战提供单独的解决方案，尤其是当需要在旋转对称过程中实现轴向或径向平衡时。

Bilz has an individual solution for almost every challenge, especially when axial or radial balance in rotationally symmetrical processes is required.

独特的Bilz产品组合包括在生产过程中标记工件的雕刻或冲压刀具，不同轮廓的镗孔成形刀具系统或用于精密镗削的浮动刀柄，以及自动装配机中的螺柱驱动刀柄。

The unique Bilz product portfolio ranges from engraving or stamping tools for the identification of the workpiece during production, Formbore system tools for different profiles or floating holders for precise boring to stud driving chucks in automatic assembly machines.



特制
UNIQUE

浮动刀柄 FLOATING HOLDER



市场上最高精度的生产线上主轴和孔产生偏移的加工应用，特别适合无问题孔铰削。

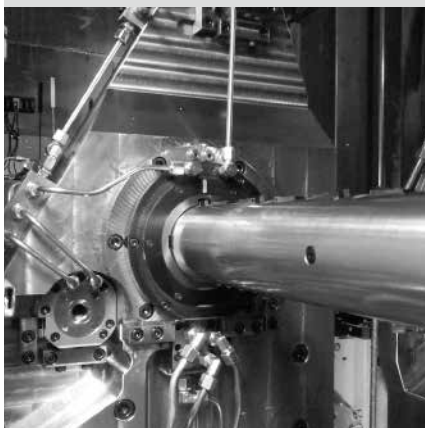
应用：

- 所有镗孔工艺
- 解决偏心问题

The highest precision in the market for non-aligned holes between transfer line spindle boring applications especially suited to problem free reaming applications.

APPLICATION

- All boring processes
- Problem solving for transfer lines



优点

- 360° 浮动进入的应用
- 免维护
- 如需要，可调节中心定位
- 特别适合铰孔应用
- 高冷却液压力，优化排屑

BENEFITS

- Floating access in 360° applications
- Maintenance free
- Adjustable centre positioning if required
- Especially suited for reaming applications
- High coolant pressure for optimised swarf evacuation

镗孔成形刀柄 FORMBORE



与传统的加工工艺相比，镗孔成形刀具减少加工时间。此外，还具有优点，如无残留切屑的盲孔、避免切削刃磨损造成的永久尺寸误差。通常替代拉削，将轴向成形转换为径向切削。

应用：

- 替代铰削，拉削，电腐蚀或铣削
- 加工过程实现更快速

Formbore system tools reduce the processing time when compared to conventional machining processes. In addition they offer advantages such as blind holes without residual chips or avoiding permanent dimensional inaccuracy due to wear at the cutting edge. Typically replaces broaching applications turning an axial direction of forming to a radial direction of cutting.

APPLICATION

- Replacement of reaming, broaching, eroding or milling
- Fast changes during processing



优点

- 与传统的拉削工艺相比，对切削刃的控制得到改善，达到永久的尺寸精度
- 几乎无磨损且免维护
- 减少加工时间
- 专为不同类型的轮廓和尺寸而设计

BENEFITS

- Permanent dimensional accuracy due to improved control over the cutting edge compared to conventional broaching processes
- Nearly wear and maintenance-free working
- Reduction of the processing time
- Designed for different types of profiles and sizes

刻字刀柄 MARKING



出于产品责任和可追溯性，必须清楚地识别关键零件，例如汽车的ABS制动器。由于这些零件通常大部分时间都是在加工中心生产的，因此标记是在生产过程中完成的。与传统的加工刀具类似，Bilz专用刀柄ET1装在机床主轴上。配有圆珠笔笔芯的刀柄的轴向行程为10 mm，并预先设置适合加工的夹持力。

应用：

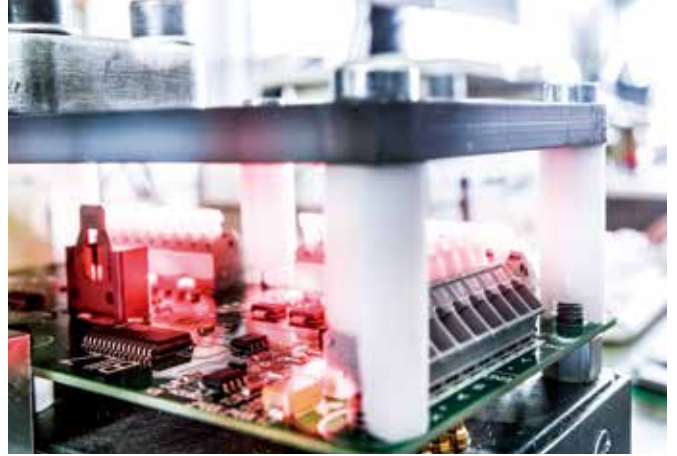
- 生产过程中标记工件

Critical parts such as ABS brake parts for cars must be clearly identified for reasons of product liability and traceability. As these parts are usually produced on a machining centre most of the time, the marking is done during the production process. The Bilz special tool ET1 is located in the machine spindle similar to conventional processing tools. The machine spindle provided with a ball pen refill has an axial travel of 10 mm and is pre-clamped with a pressure suited to the application.

APPLICATION

- For marking of work pieces in the work process





智能SMARTTEC

智能联网 INTELLIGENT NETWORKING.

Bilz在精密机械工程和电子科研工作的独特结合能集中处理在加工过程中诸如执行器和传感器技术之类的问题。

The unique combination of mechanical precision engineering and electronic laboratory work makes it possible for Bilz to deal intensively with subjects such as actuator and sensor technology in the machining process.

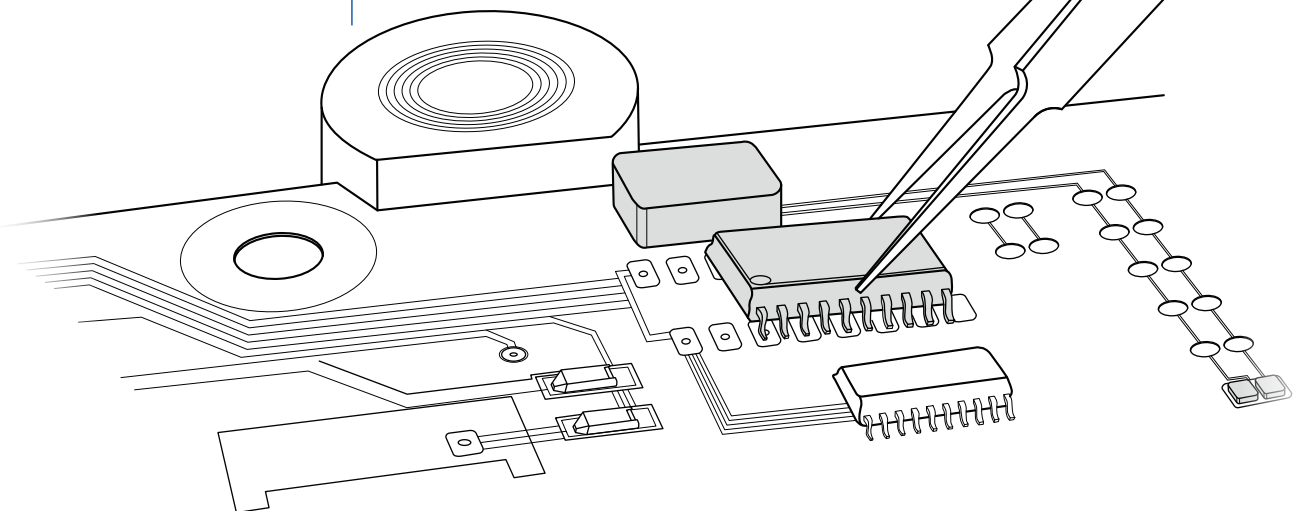
机电一体化部件已经成为Bilz的传统，随着工业4.0等类似行业的发展，机电部件在分析和控制加工过程中的重要性日益成为我们关注的重点。

Mechatronic components are already a tradition at Bilz and today, with developments such as Industry 4.0 and similar, their importance for analysis and control of the machining process is increasingly in our focus.

Bilz智能工具可以识别错误，或者能够在加工过程中直接记录不同刀具的切削数据或数值。

Intelligent tools from Bilz recognize errors or are able to document cutting data or values for different cutters directly during the machining process.

智能
INTELLIGENT



热胀刀柄识别系统 SHRINK CHUCK IDENTIFICATION



全自动操作，安全性，对优化产品数据的处理和完全控制触手可及。

应用：

- 在工艺工程中，结合热胀机一次扫描预设热胀数据，优化物流控制。

Automatic process security, optimised handling and complete control of product data at your fingertips.

APPLICATION

- Optimised logistical control in process engineering combined with one scan pre-setting of shrink data for shrink machines



优点

- 刀柄自动识别
- 热胀仪参数自动设定
- 消除操作错误
- 操作简便
- 最高安全性

BENEFITS

- Automatic chuck identification
- Automatic shrink machine parameter setting
- Operator error eliminated
- Easy handling
- Maximum security

测量系统-BPMS MEASUREMENT SYSTEM BPMS



Bilz测量系统通过测量综合气压实现珩磨刀具的过程控制。
测量的气压途径自密封扭矩臂通过主轴接口传输。

应用：

- 珩磨刀具中的综合气压测量
- 用作单次测量的量规
- Bilz测量计算机用于过程测量

The Bilz measurement system makes a process control possible in honing tools with integrated air pressure measuring. The measured air is transmitted through the spindle interface via a self-sealing torque arm.

APPLICATION

- Integrated air pressure measurement in honing tools
- Use as a gauge for single measuring
- Bilz measuring computer for in-process measurement



优点

- 消除机器外部测量过程的耗时
- 允许无人值班
- 不受环境影响
- 确保测量结果的准确性和可重复性

BENEFITS

- Eliminates the time-consuming control of the measurement processes outside the machine
- Allows unmanned shifts
- Unaffected by environmental effects
- Ensures excellent accuracy and reproducibility of the measurement results

测量系统-BIMS MEASUREMENT SYSTEM BIMS



用于过程控制的智能模块化测量系统：

应用：

- 车削、数控加工中心和特种机床切削工艺的过程控制

The intelligent modular measurement system for process control:

APPLICATION

- Process control of the cutting process for turning, NC and special machines



优点

- Bilz的测量系统使过程控制成为可能
- 系统可根据切削工艺要求进行调整

BENEFITS

- Measurement system from Bilz makes process control possible
- System can be adjusted to the requirements of the cutting process

遍布全球 Worldwide Presence.

“放眼全球—立足当地”……在这句俗语诞生之前，BILZ就一直在秉承。例如，自1957年与美国的紧密合作，确保公司始终处于技术发展的最前沿。

“Think global – act local”...this was reality for Bilz even before the saying was created. For example close contacts to the USA from 1957 ensured that the company remained at the forefront of technological developments.

如今，BILZ已成为全球参与者，跨国业务联系，并存在于所有重要市场和行业中。具有以客户为导向和发现解决方案能力，能得我们的产品具有传奇般的质量—Bilz制造。

Today Bilz is a global player, internationally connected and present in all important markets and industries. Only this customer orientation and our solution finding ability lead to the legendary quality of our products – made by Bilz.



蓝帆集团生产销售点

PRODUCTION AND SALES LOCATIONS OF THE LEITZ GROUP

● Bilz ○ Boehlerit ○ Leitz





日 易 暉 机 械

台北市敦化南路二段40號2樓 郵遞區號: 106
2/F, No. 40, Sec. 2, Tun Hwa S. Road,
Taipei, Taiwan Zip: 106
Tel: 886-2-2705-8448
Fax: 886-2-2700-8430

上海市天鑰橋路325號嘉匯國際廣場A幢2101-2102室 郵編: 200030
Room 2101-2102, Gateway International Plaza, Building A, No.325, Tian
Yao Qiao Road, Shanghai, China Zip: 200030
Tel: 86-21-3363-2088 & 3363-2099
Fax: 86-21-3363-3303

上海辦事處	電話: 86-21-3363-2088	傳真: 86-21-3363-3303
天津辦事處	電話: 86-22-5817-3069	傳真: 86-22-5817-3069
成都辦事處	電話: 86-28-8526-6681	傳真: 86-28-8526-6684
重慶辦事處	電話: 86-23-6757-3205	傳真: 86-23-6757-3207
長春辦事處	電話: 86-431-8461-7085	傳真: 86-431-8461-7087
外高橋保稅庫	電話: 86-21-5868-3075	傳真: 86-21-5868-3076

台北辦事處	電話: 886-2-2705-8448	傳真: 886-2-2700-8430
台中辦事處	電話: 886-4-2463-8159	傳真: 886-4-2463-8160